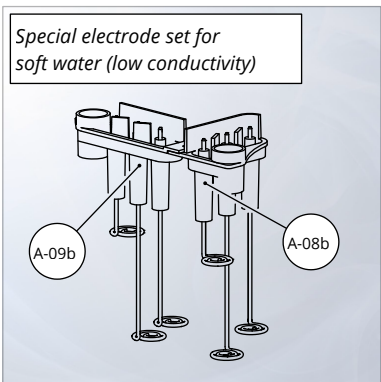
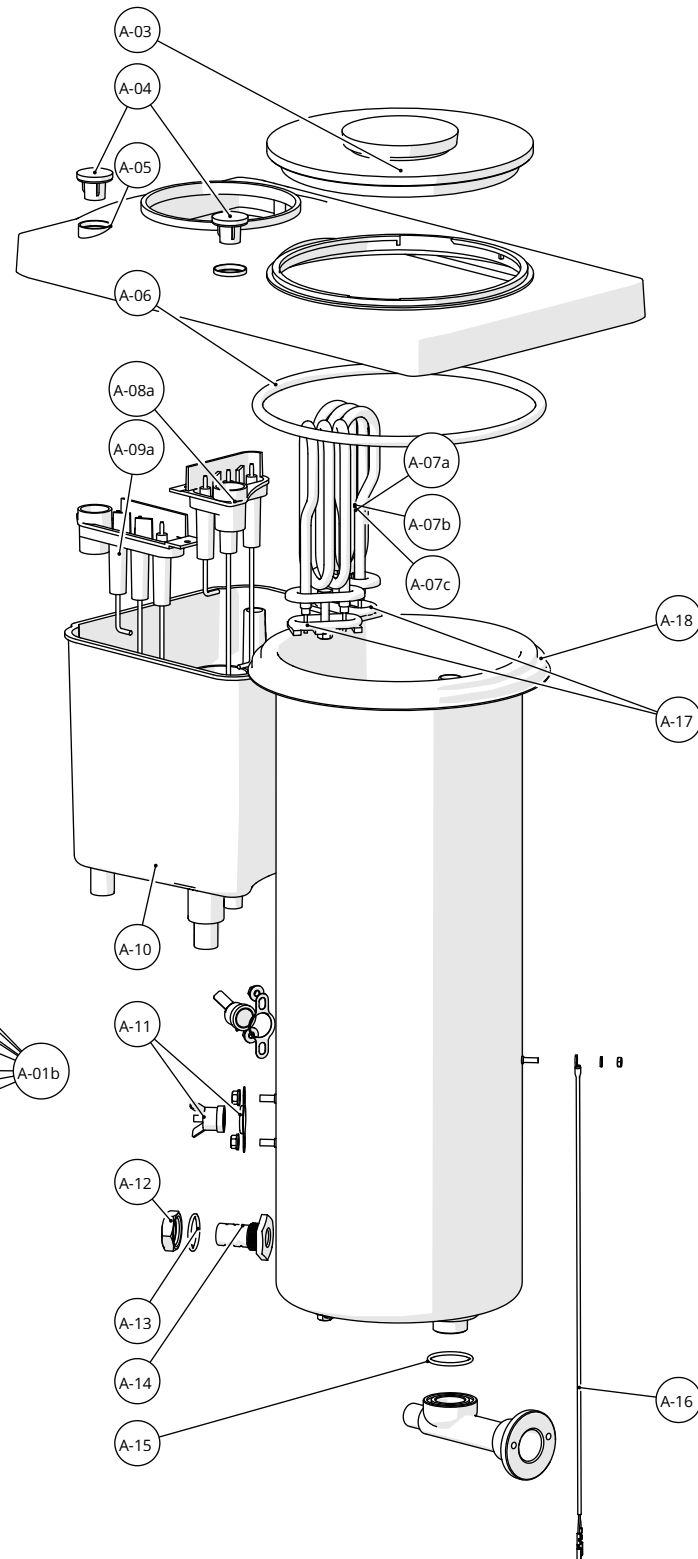


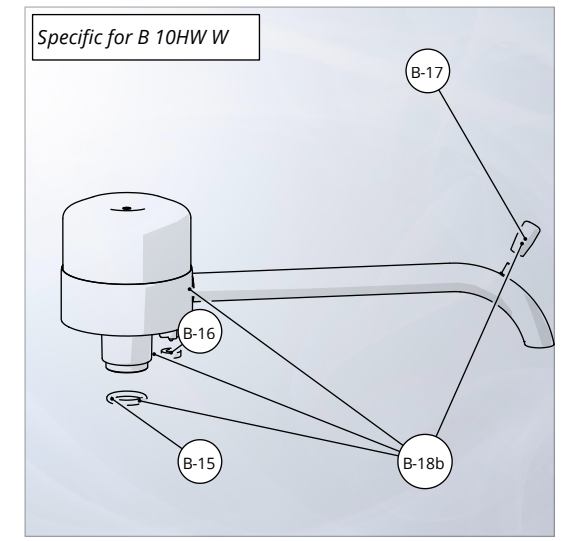
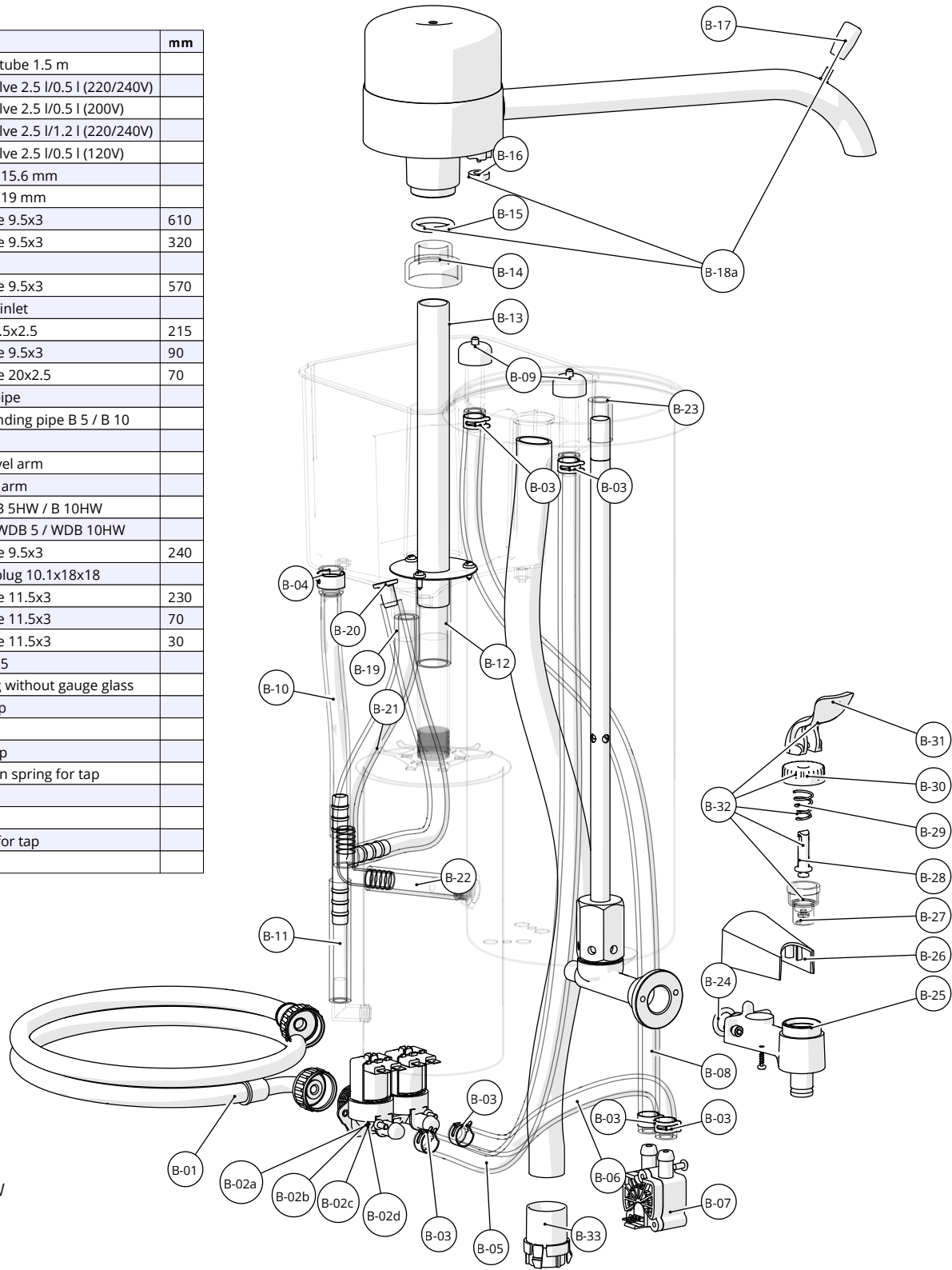
Note:

These exploded views apply only to version 1.0.
The version can be determined from the 9th digit of the
8 number on the nameplate **A** (8.xxx.xxx.x1xxx).

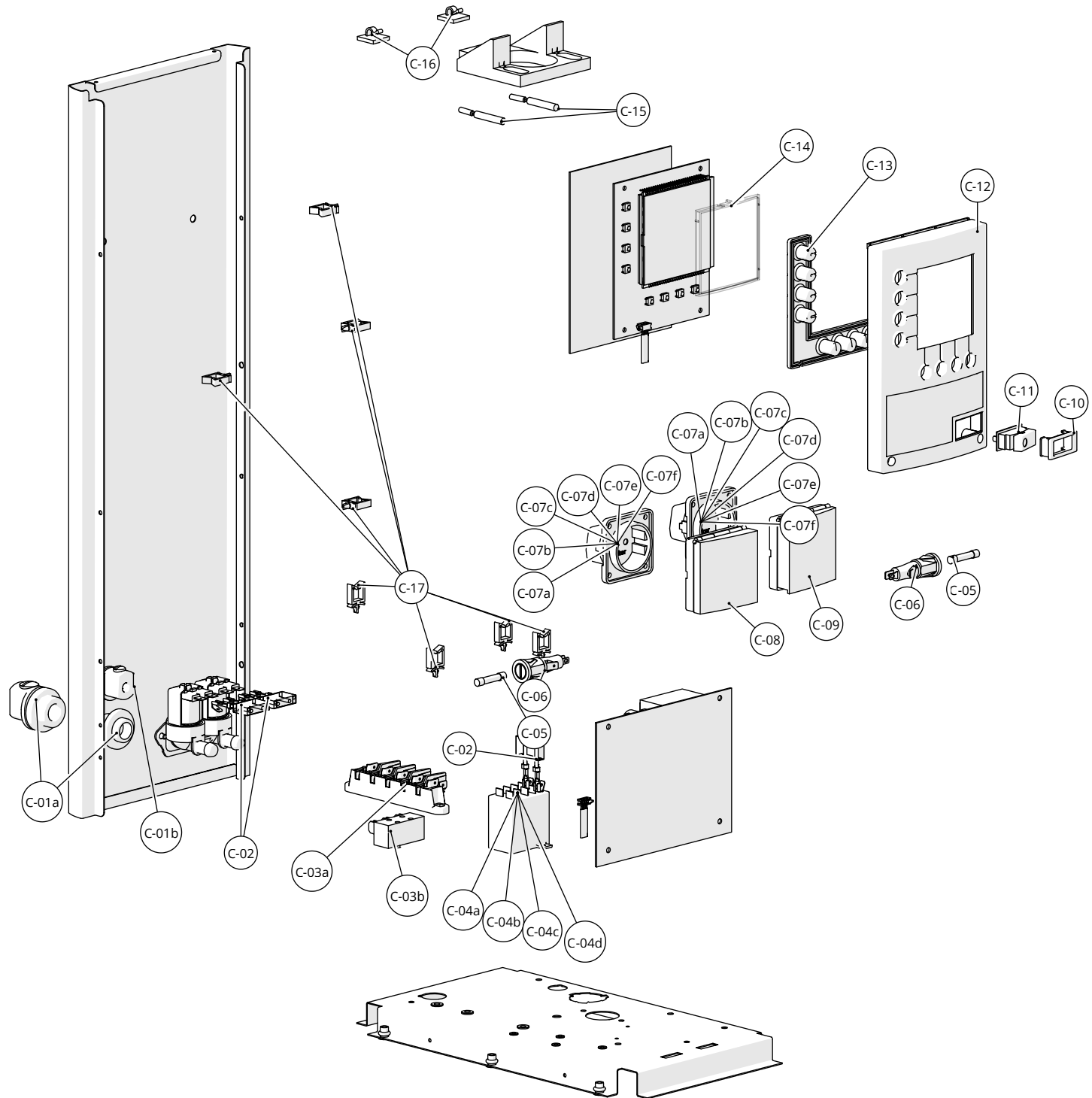
| ID | Service parts | S-RS | Description |
|-------|---------------|------|--|
| A-01a | 6.000.205.582 | S | Flow boiler B 10(HW) (STD) |
| A-01b | 6.000.205.765 | S | Flow boiler B 10(HW) (J) |
| A-02 | 6.016.008.052 | RS | High temperature safety switch |
| A-03 | 6.000.211.757 | S | Lid for hot water tank |
| A-04 | 6.311.090.001 | S | Descaling plug |
| A-05 | 6.311.087.001 | S | Lid column B HW |
| A-06 | 6.311.112.001 | S | Gasket |
| A-07a | 6.236.158.000 | RS | Heating element 240V 1200W |
| A-07b | 6.236.251.000 | RS | Heating element 210V 1215W (J) |
| A-07c | 6.311.177.000 | RS | Heating element 440V/1330W (SCH) |
| A-08a | 6.205.855.000 | S | Electrodes + support B and B HW standard |
| A-08b | 6.305.052.000 | S | Electrodes + support B and B HW special |
| A-09a | 6.205.856.000 | S | Electrodes + support B HW standard |
| A-09b | 6.305.053.000 | S | Electrodes + support B HW special |
| A-10 | 6.205.851.001 | DT | Water tank column B HW-series |
| A-11 | 6.016.008.064 | RS | High temp. safety switch 115°C |
| A-12 | 6.001.045.002 | S | Nut 3/8 chrome-plated brass |
| A-13 | 6.011.001.195 | S | O-ring 19x2 |
| A-14 | 6.236.243.001 | S | Nipple for tank |
| A-15 | 6.011.001.055 | RS | O-ring 24x4 |
| A-16 | 6.236.188.000 | RS | Temperature sensor (assy) |
| A-17 | 6.011.031.001 | S | Gasket |
| A-18 | 6.205.857.000 | S | Hot water reservoir B10 HW-2 |



| ID | Service parts | S-RS | Description | mm |
|-------|---------------|------|---------------------------------------|-----|
| B-01 | 6.000.205.111 | S | Connection tube 1.5 m | |
| B-02a | 6.016.001.026 | RS | Magnetic valve 2.5 l/0.5 l (220/240V) | |
| B-02b | 6.016.001.041 | RS | Magnetic valve 2.5 l/0.5 l (200V) | |
| B-02c | 6.016.001.077 | RS | Magnetic valve 2.5 l/1.2 l (220/240V) | |
| B-02d | 6.016.001.082 | RS | Magnetic valve 2.5 l/0.5 l (120V) | |
| B-03 | 6.001.079.003 | S | Tube clamp 15.6 mm | |
| B-04 | 6.001.079.006 | S | Tube clamp 19 mm | |
| B-05 | 6.019.033.014 | S | Silicone tube 9.5x3 | 610 |
| B-06 | 6.019.033.014 | S | Silicone tube 9.5x3 | 320 |
| B-07 | 6.016.024.004 | RS | Flow meter | |
| B-08 | 6.019.033.014 | S | Silicone tube 9.5x3 | 570 |
| B-09 | 6.205.853.001 | S | Cover waterinlet | |
| B-10 | 6.311.113.001 | S | Tube 9.5/12.5x2.5 | 215 |
| B-11 | 6.019.033.014 | S | Silicone tube 9.5x3 | 90 |
| B-12 | 6.019.033.012 | S | Silicone tube 20x2.5 | 70 |
| B-13 | 6.205.826.000 | S | Ascending pipe | |
| B-14 | 6.205.854.001 | S | Sleeve ascending pipe B 5 / B 10 | |
| B-15 | 6.011.001.060 | RS | O-ring 23x4 | |
| B-16 | 6.017.003.006 | S | Magnet swivel arm | |
| B-17 | 6.311.098.001 | S | Knob swivel arm | |
| B-18a | 6.311.120.000 | S | Swivel arm B 5HW / B 10HW | |
| B-18b | 6.311.119.000 | S | Swivel arm WDB 5 / WDB 10HW | |
| B-19 | 6.019.033.014 | S | Silicone tube 9.5x3 | 240 |
| B-20 | 6.006.002.018 | S | Tightening plug 10.1x18x18 | |
| B-21 | 6.019.033.013 | S | Silicone tube 11.5x3 | 230 |
| B-22 | 6.019.033.013 | S | Silicone tube 11.5x3 | 70 |
| B-23 | 6.019.033.013 | S | Silicone tube 11.5x3 | 30 |
| B-24 | 6.011.001.057 | RS | O-ring 14x3.5 | |
| B-25 | 6.214.066.001 | S | Tap housing without gauge glass | |
| B-26 | 6.214.060.001 | S | Cover for tap | |
| B-27 | 6.015.001.213 | RS | Rubber cup | |
| B-28 | 6.015.001.214 | S | Lever rod tap | |
| B-29 | 6.015.001.215 | RS | Compression spring for tap | |
| B-30 | 6.214.058.001 | S | Screwcap | |
| B-31 | 6.214.056.001 | S | Tap handle | |
| B-32 | 6.015.001.365 | S | Upper part for tap | |
| B-33 | 6.229.760.001 | S | Nipple | |

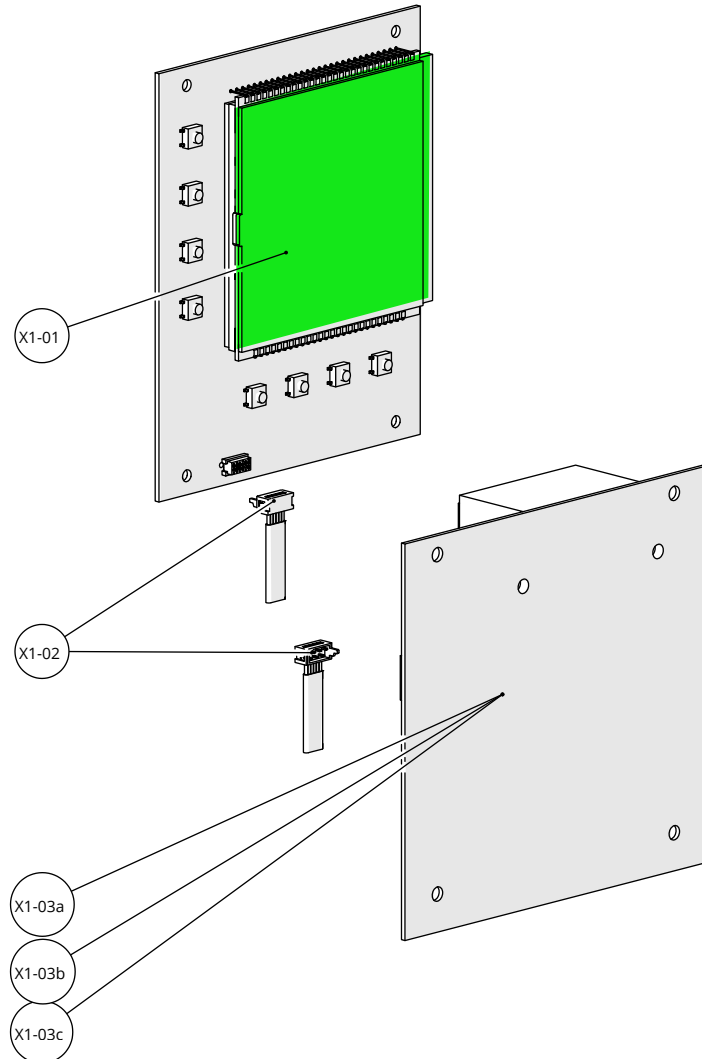


| ID | Service parts | S-RS | Description |
|-------|---------------|------|----------------------------|
| C-01a | 6.006.001.009 | S | Cord inlet |
| C-01b | 6.006.001.001 | S | Cord inlet (marine) |
| C-02 | 6.211.772.000 | S | RC combination |
| C-03a | 6.002.019.160 | S | Wiring strip |
| C-03b | 6.002.019.151 | S | Wiring strip (marine) |
| C-04a | 6.004.002.068 | S | Relay (230V 50Hz) |
| C-04b | 6.004.002.074 | S | Relay (120V) |
| C-04c | 6.004.002.075 | S | Relay (200V) |
| C-04d | 6.004.002.081 | S | Relay (230V/240V 60Hz) |
| C-05 | 6.005.011.015 | S | Fuse 2A (10 pcs) |
| C-06 | 6.005.012.008 | S | Fuse holder |
| C-07a | 6.006.005.100 | S | Socket (STD) |
| C-07b | 6.006.005.103 | S | Socket (CH) |
| C-07c | 6.006.005.104 | S | Socket (GB) |
| C-07d | 6.006.005.107 | S | Socket (AUS) |
| C-07e | 6.006.005.108 | S | Socket (DK) |
| C-07f | 6.006.005.105 | S | Socket (NA) |
| C-08 | 6.205.865.000 | S | Flap for socket left |
| C-09 | 6.205.864.000 | S | Flap for socket right |
| C-10 | 6.401.217.001 | S | Adapter switch |
| C-11 | 6.004.001.069 | RS | Switch |
| C-12 | 6.205.859.001 | S | Service panel |
| C-13 | 6.205.862.001 | S | Push buttons |
| C-14 | 6.205.860.001 | S | Window service panel |
| C-15 | 6.205.920.000 | S | Reed switch B 5HW / B 10HW |
| C-16 | 6.006.010.055 | S | Cable clip |
| C-17 | 6.006.010.078 | S | Wire clip 10 mm |



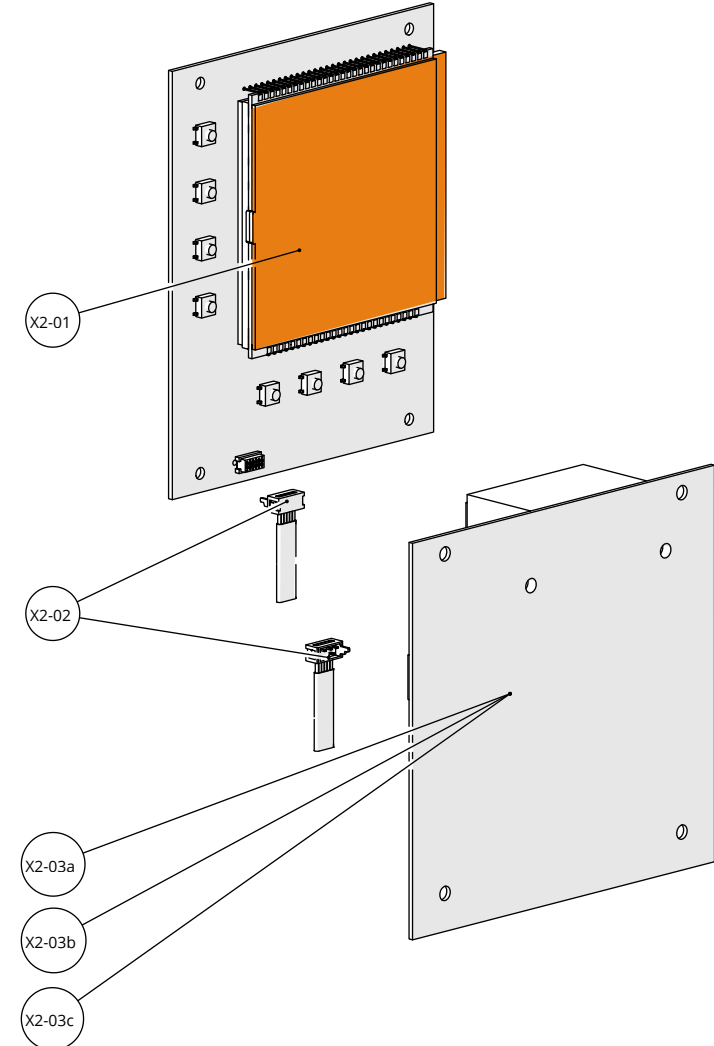
| ID | Service parts | S-RS | Description |
|--------|---------------|------|------------------------------|
| X1-01 | 6.205.861.000 | RS | Keyboard B (HW)-series |
| X1-02 | 6.205.919.000 | RS | Flat cable |
| X1-03a | 6.205.874.000 | RS | Mainboard B HW-series (230V) |
| X1-03b | 6.205.956.000 | RS | Mainboard B HW-series (200V) |
| X1-03c | 6.205.958.000 | RS | Mainboard B HW-series (120V) |

To the green display X1-01 belong the specific parts X1-02 and X1-03. The parts of X1 and X2 are NOT interchangeable, but it is possible to replace all 3 parts together (X2-01, X2-02 and X2-03) on a machine with a green display. Used till may 2013.

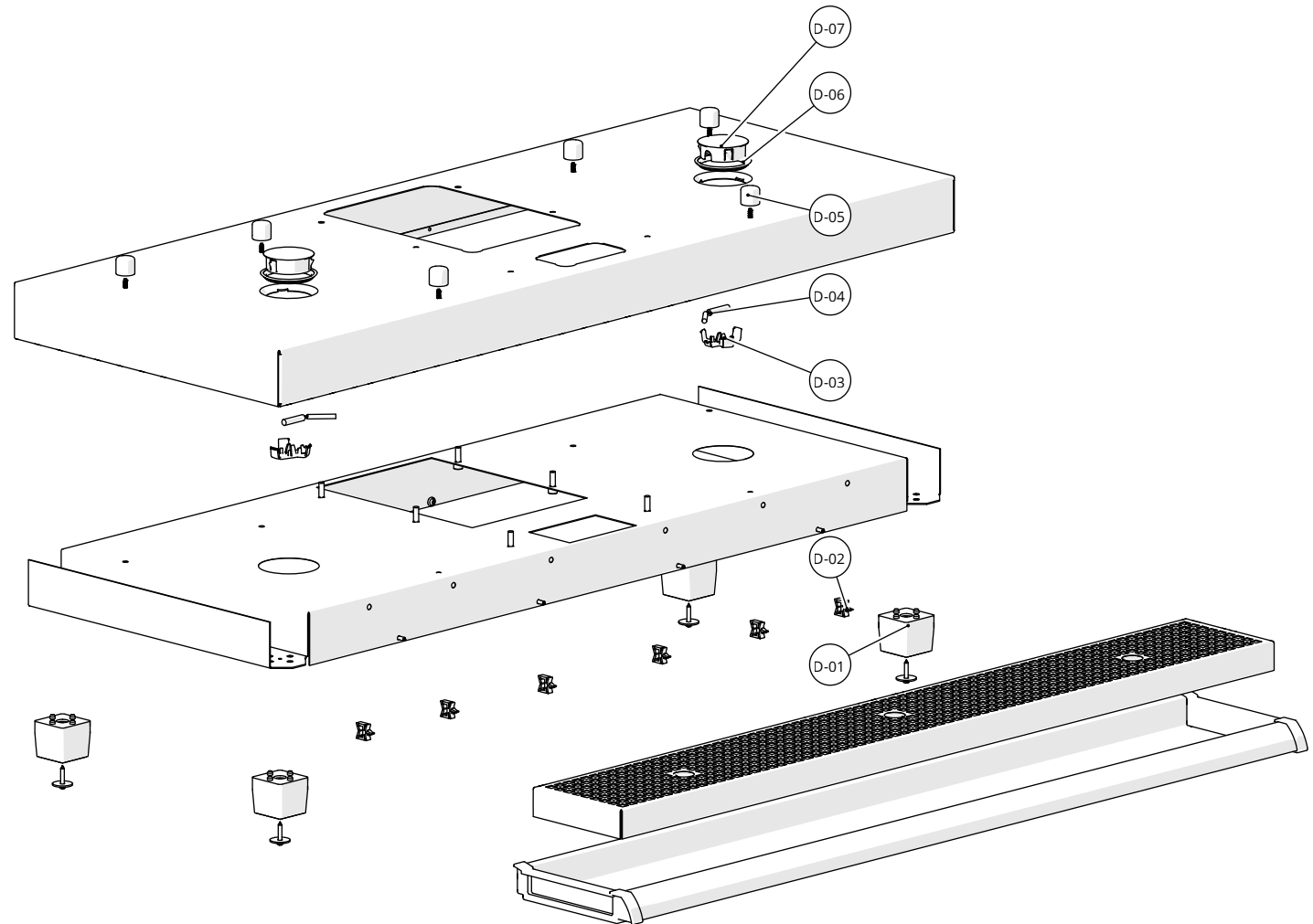


| ID | Service parts | S-RS | Description |
|--------|---------------|------|------------------------------|
| X2-01 | 6.305.034.000 | RS | Keyboard B (HW)-series |
| X2-02 | 6.305.043.000 | RS | Flat cable |
| X2-03a | 6.305.036.000 | RS | Mainboard B HW-series (230V) |
| X2-03b | 6.305.038.000 | RS | Mainboard B HW-series (200V) |
| X2-03c | 6.305.040.000 | RS | Mainboard B HW-series (120V) |

To the orange display X2-01 belong the specific parts X2-02 and X2-03. The parts of X2 and X1 are NOT interchangeable. Used from june 2013.



| ID | Service parts | S-RS | Description |
|------|---------------|------|----------------------------|
| D-01 | 6.311.072.001 | S | Foot B-series |
| D-02 | 6.006.010.084 | DT | Cable clip |
| D-03 | 6.311.218.001 | S | Reed switch safety |
| D-04 | 6.206.630.000 | S | Reed switch |
| D-05 | 6.311.126.001 | S | Cam |
| D-06 | 6.311.204.001 | S | Sealing ring base B-series |
| D-07 | 6.311.203.001 | S | Cap reed contact switch |



| ID | Service parts | S-RS | Description |
|------|---------------|------|------------------------------|
| E-01 | 6.242.198.001 | S | Handle VHG 10 |
| E-02 | 6.240.145.001 | S | Knob lid |
| E-03 | 6.006.001.101 | S | Cord inlet with pull relief |
| E-04 | 6.311.196.001 | S | Magnet support |
| E-05 | 6.017.003.006 | S | Magnet |
| E-06 | 6.004.001.081 | RS | Switch 230V |
| E-07 | 6.240.139.001 | S | Cord support grey |
| E-08 | 6.011.001.055 | RS | O-ring 24x2 |
| E-09 | 6.242.206.000 | RS | PTC element VHG 10 |
| E-10 | 6.242.190.000 | S | Inner urn |
| E-11 | 6.240.134.001 | S | Cap gauge glass |
| E-12 | 6.242.192.001 | S | Case for gauge glass VHG 10 |
| E-13 | 6.242.203.001 | S | Strip for gauge glass VHG 10 |
| E-14 | 6.242.193.001 | S | Gauge glass VHG 10 |
| E-15 | 6.011.001.112 | S | O-ring 12x3 |
| E-16 | 6.015.001.366 | S | Upper part for tap |
| E-17 | 6.242.191.001 | S | Tap handle |
| E-18 | 6.242.183.001 | S | Screw cap tap housing |
| E-19 | 6.015.001.027 | RS | Spring |
| E-20 | 6.015.001.281 | S | Lever rod tap |
| E-21 | 6.015.001.006 | RS | Rubber cup |
| E-22 | 6.242.187.001 | S | Tap cover VHG 10 / 20 / 40 |
| E-23 | 6.242.181.001 | S | Tap housing VHG 10 / 20 / 40 |
| E-24 | 6.011.001.057 | RS | O-ring 14x3.5 |

